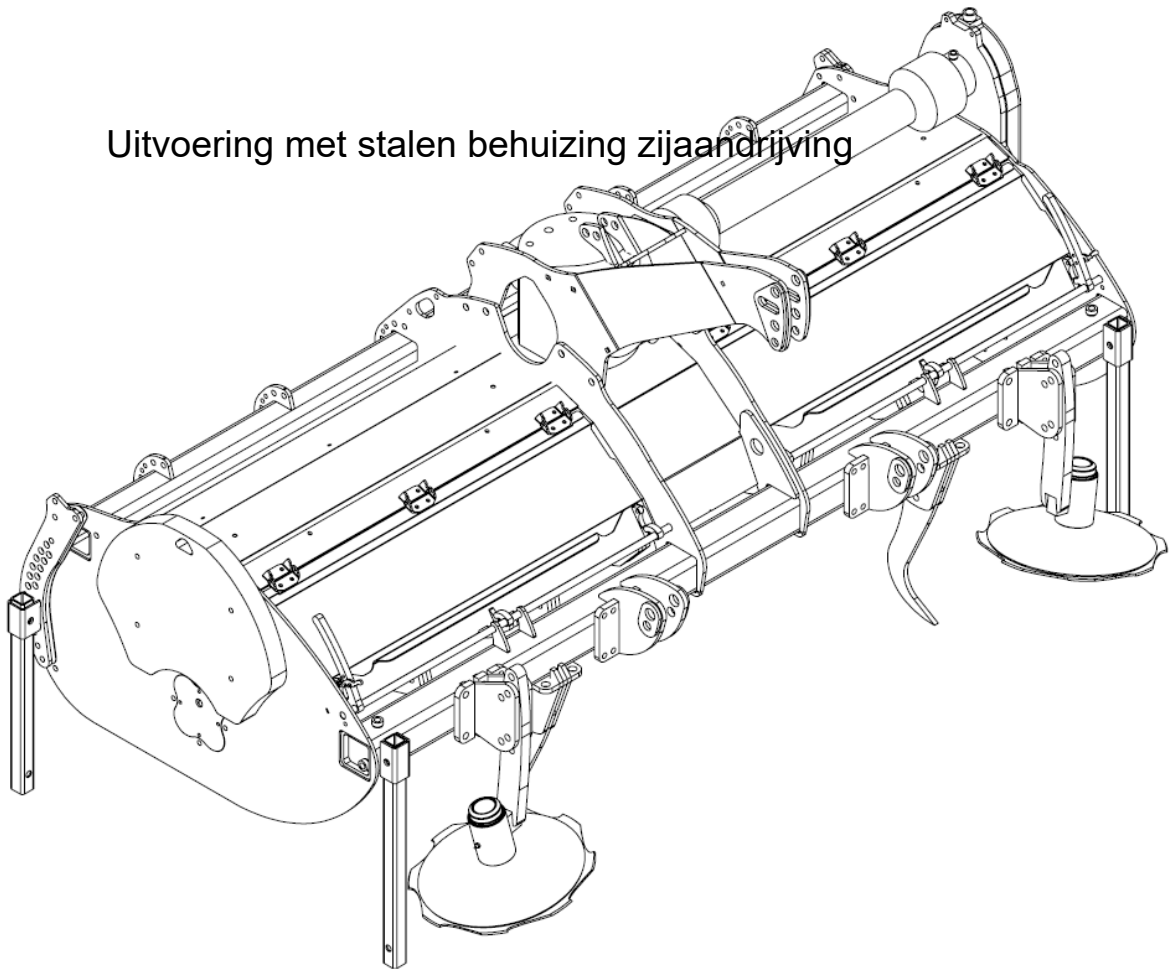




AGRI 300-350-400

VERS. 250.00

Uitvoering met stalen behuizing zijaandrijving



CATALOGO PARTI DI RICAMBIO
SPARE PARTS CATALOGUE
ONDERDELEN CATALOGUS
ERSATZTEILEKATALOG



COD.	DESCRIZIONE	DESCRIPTION	BESCHRIJVING	BESCHREUBUNG
11032310	CUSCINETTO 32310	BEARING 32310	LAGER 32310	LAGER 32310
1330080	GHIERA M80 KM16	RING NUT M80		
11030220	CUSCINETTO 30220	BEARING 30220	LAGER 30220	LAGER 30220
11030310	CUSCINETTO 30310	BEARING 30310	LAGER 30310	LAGER 30310
11032024	CUSCINETTO 32024	BEARING 32024	LAGER 32024	LAGER 32024
11106004	CUSCINETTO 6004 2RS	BEARING 6004 2RS	LAGER 6004 2RS	LAGER 6004 2RS
12060402	VITE M6x20 TCEI 8.8 ZINC	SCREW M6x20	BOULT M6x20	BOLZEN M6x20
12060402	VITE M6x20 TCEI 8.8 ZINC	SCREW M6x20	BOULT M6x20	BOLZEN M6x20
12080601	VITE M8x30 TE ZINC	SCREW M8x30	BOULT M8x30	BOLZEN M8x30
12081602	VITE M8x80 TCEI ZINC	SCREW M8x80	BOULT M8x80	BOLZEN M8x80
12120501	VITE M12x25 TE 8.8 ZINC.	SCREW M12x25	BOULT M12x25	BOLZEN M12x25
12140701	VITE M14x35 TE ZINC	SCREW M14x35	BOULT M14x35	BOLZEN M14x35
12140714	VITE M14x35 TCEI 10.9 NERE	SCREW M14x35	BOULT M14x35	BOLZEN M14x35
12140914	VITE M14x45 TCEI 10.9 NERE	SCREW M14x45	BOULT M14x45	BOLZEN M14x45
13200803	RONDELLA PIANA 8x32	FLAT WASHER 8x32		
14101012	ANELLO DI TENUTA 100-120-12	OIL SEAL 100-120-12		
14105090	ANELLO DI TENUTA 50-90-10	OIL SEAL 50-90-10		
14117520	ANELLO DI TENUTA 175-200-15	OIL SEAL 175-200-15		
14117521	ANELLO DI TENUTA 175-200-15 VITON	OIL SEAL 175-200-15 VITON		
15100002	NIPLES 3/8"	ADAPTOR 3/8"		
15100003	NIPLES DI RIDUZIONE 1/2"-3/8"	NIPLES		
15100004	NIPLES DI RIDUZIONE 1"-1/2"	NIPLES		
15100005	PROLUNGA CORTA M 3/8" - F1/2"	EXTENSION		
15100006	PROLUNGA CORTA M 1/2" - F1/2"	EXTENSION		
15300001	RONDELLA IN RAME DA 1/2"	COPPER WASHER 1/2"		
15300003	RONDELLA IN RAME DA 3/8"	COPPER WASHER 3/8"		
15300004	RONDELLA IN RAME 1"	COPPER WASHER 1"		
15400001	TAPPO ESAGONALE 1/2"	MALE EXAGONAL PLUG 1/2"		
15400002	TAPPO ESAGONALE M20x1,5	MALE EXAGONAL PLUG M20x1,5		
15900001	TAPPO SPIA 1/2"	OIL LEVEL PLUG		
15900009	SFIATO 1/2 CON FILTRO	BREATHER 1/2		
15900011	VITE FORATA 1/2"	DRILLED SCREW 1/2"		
15900012	POMPA GR1 SX	OIL PUMP		
15900018	RONDELLA IN RAME 3/4	COPPER WASHER 3/4		
15900019	BUSSOLA RIDUZIONE M3/4 - F1/2	REDUCTION		
19000001	SPINA ELASTICA 10x30	ELASTIC PIN 10x30		
19000011	ANELLO NILOS 32024 AV	NILOS 32024 AV		
19000012	ROSETTA MB16 (80)	WASHER		
19000013	SEEGER ESTERNO D.20	SEEGER		
19000014	SEEGER ESTERNO D.60x3	SEEGER		
19000015	SEEGER ESTERNO D.45x2.5	SEEGER		
19000016	CHIAVETTA A 6x6x16 UNI 6604	SPLINE		
19000017	RONDELLA PS 150x180x0,3	SPACER 150x180x0,3		
19000018	RONDELLA PS 150x180x0,5	SPACER 150x180x0,5		
19000019	RONDELLE PS 90x110x0,2	SPACER 90x110x0,2		
19000020	RONDELLE PS 90x110x0,3	SPACER 90x110x0,3		
19000021	MOZZO RUOTA COMPLETO	HUB		
19000022	INGRANAGGIO SOLARE	SUN GEAR		

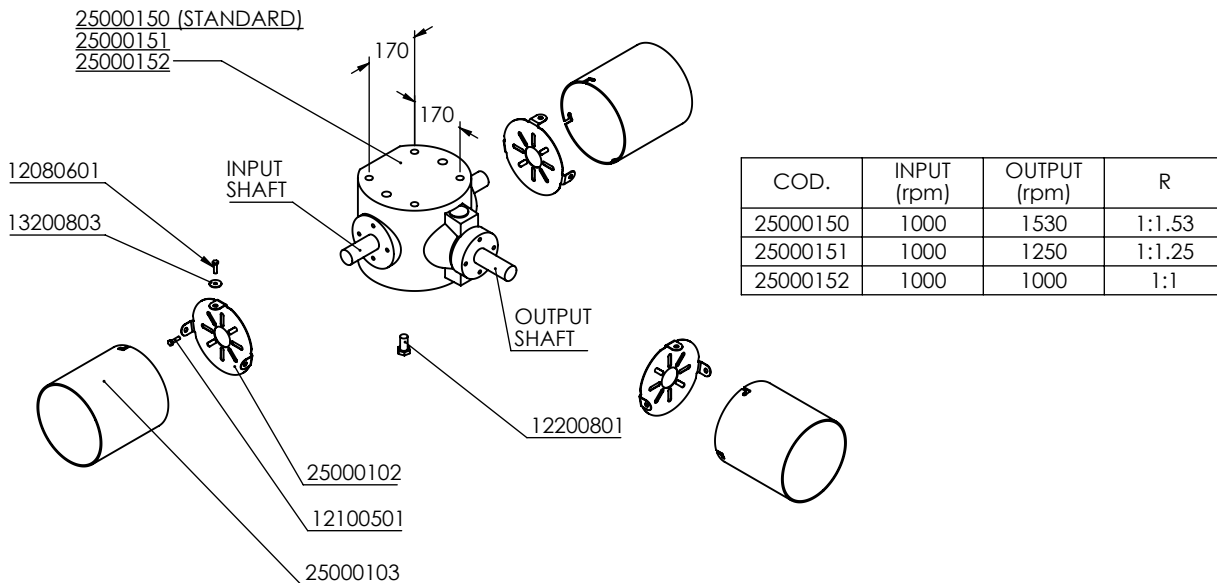
AGRI 300-350-400

GEARBOX

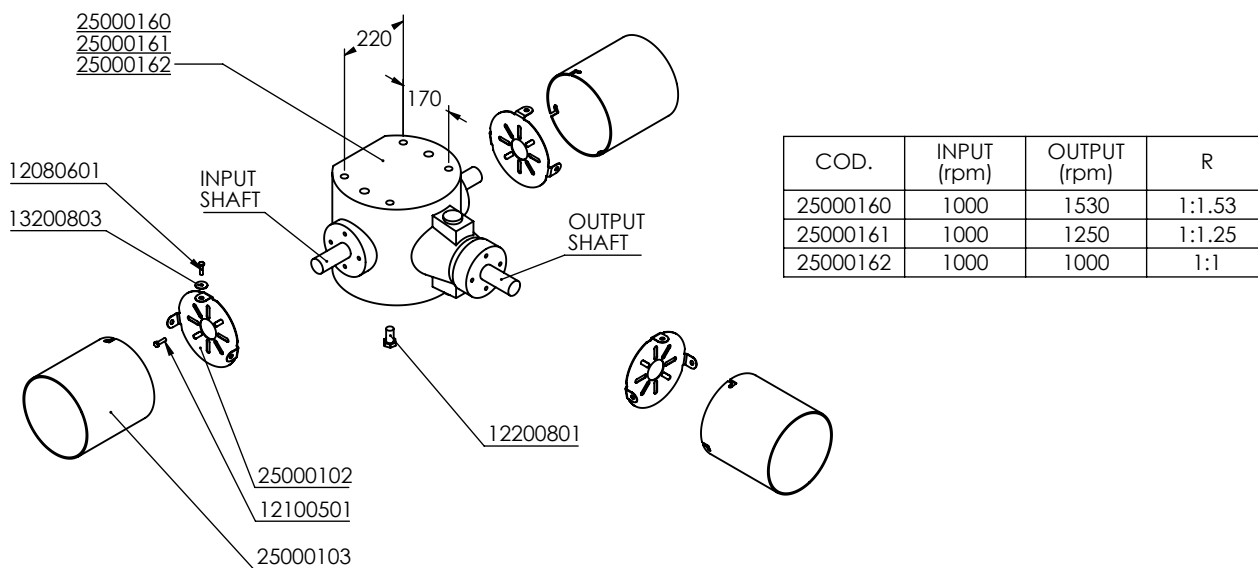
250.101

COD.	DESCRIZIONE	DESCRIPTION	BESCHRIJVING	BESCHREUBUNG
1900023	MOZZO PORTA CORONA	CARRIER HUB		
1900024	CORONA RIDUTTORE	CROWN GEAR		
1900033	SEEGER INTERNO D.45	SEEGER		
25000102	SUPPORTO PROTEZIONE	PROTECTION SUPPORT		
25000103	PROTEZIONE CARDANO	PROTECTION		
25000104	COPERCHIO ALBERO	COVER		
25000105	COPERCHIO FRONTALE	COVER		
25000106	TUBO RIT 3/8 L.300 FD 3/8 + FD 3/8	TUBE		
25000107	PORTA FILTRO	FILTER HOLDER		
25000108	TUBO RIT 1/2 L.130 OC 1/2 + FD 1/2	TUBE		
25000109	RUOTA DENTATA 36T	GEAR		
25000111	RUOTA DENTATA 29T	GEAR		
25000112	ALBERO FOLLE	SHAFT		
25000113	ALBERO ALTO	SHAFT		
25000114	RUOTA DENTATA 90T	GEAR		
25000115	ALBERO BASSO	SHAFT		
25000116	TUBO RIT 3/8 L.600 FD 3/8 + OC 1/2	TUBE		
25000117	SUPPORTO POMPA	OIL PUMP SUPPORT		
25000118	ALBERO POMPA	OIL PUMP SHAFT		
25000119	RUOTA DENTATA 40T	GEAR		
25000120	RONDELLA 161x180x6	SPACER 161x180x6		
25000126	COPERCHIO INFERIORE	COVER		
25000127	PIGNONE Z15	GEAR		
25000128	CORONA Z36	GEAR		
25000129	DISTANZIALE L.20	SPACER		
25000130	MOZZO FISSO SCANIA	BEARING SUPPORT		
25000131	MOZZO PORTA CUSCINETTI	BEARING SUPPORT		
25000132	PIASTRINA FORATA	PLATE		
25000133	SEMIASSE	SHAFT		
25000135	VITE DI SERRAGGIO M22x1,5	TIGHTENING SCREW		
25000136	COPERCHIO	COVER		
25000136	VITE DI CONTENIMENTO M22x1,5	CONTAINMENT SCREW		

SERIE 2155



SERIE 2200

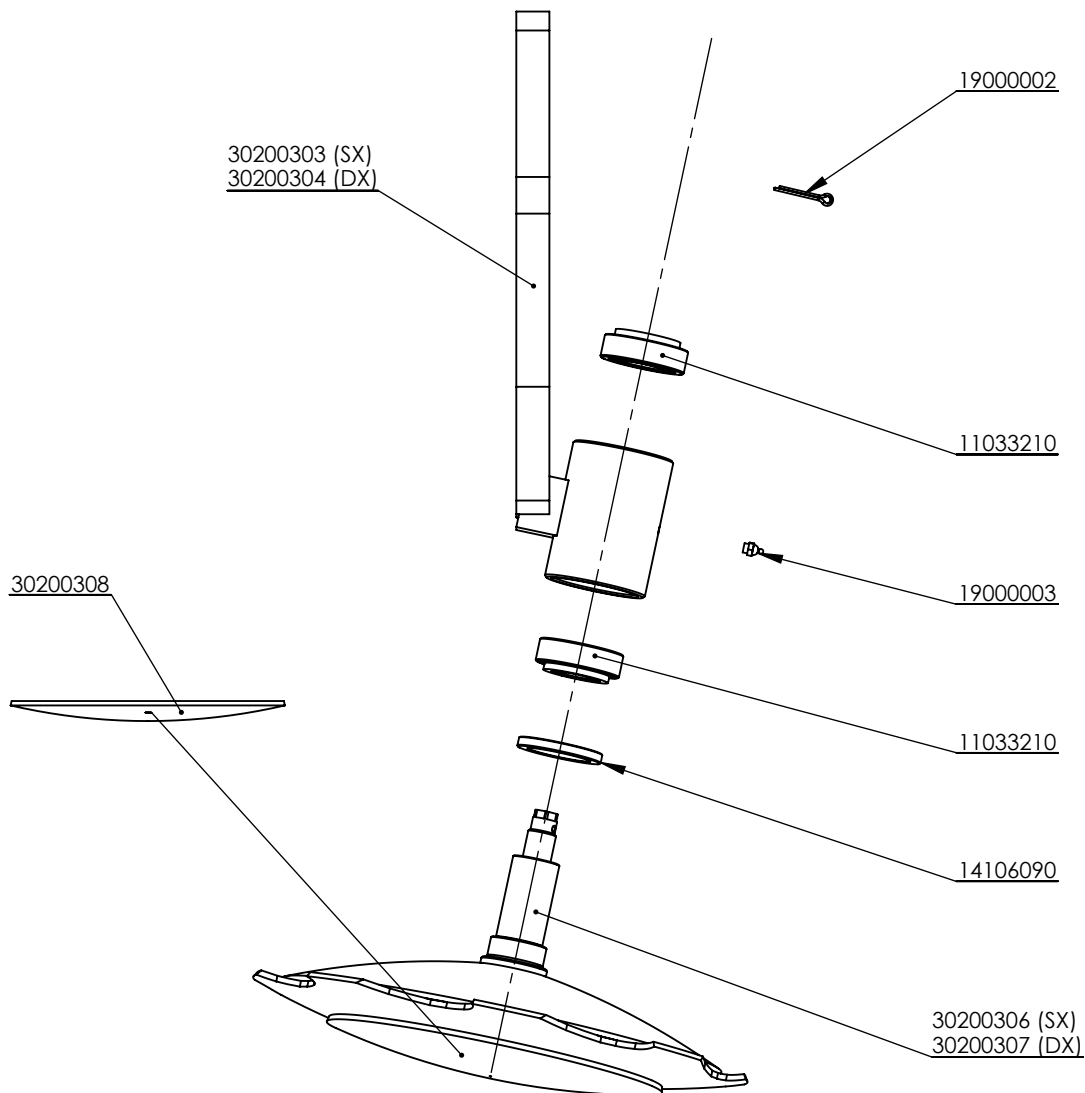
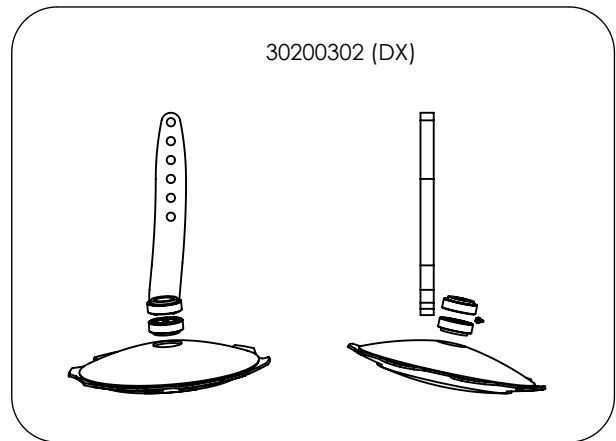
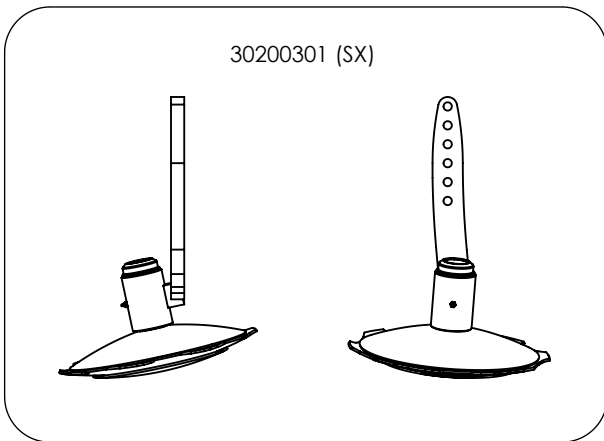


AGRI 300-350-400

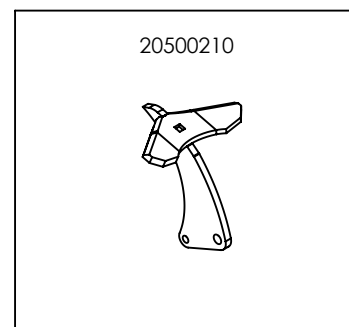
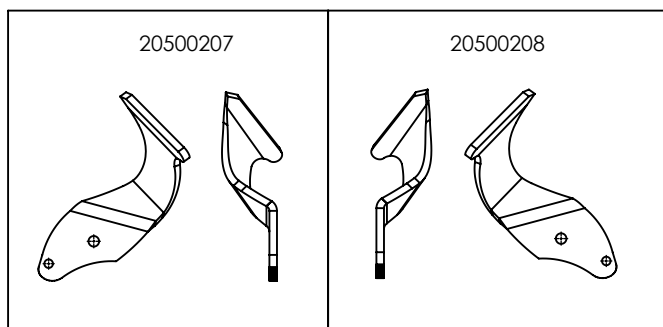
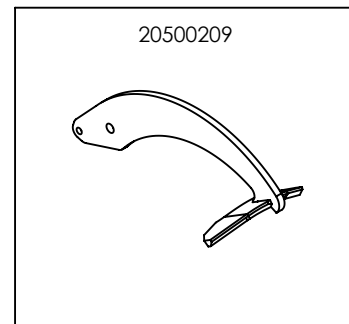
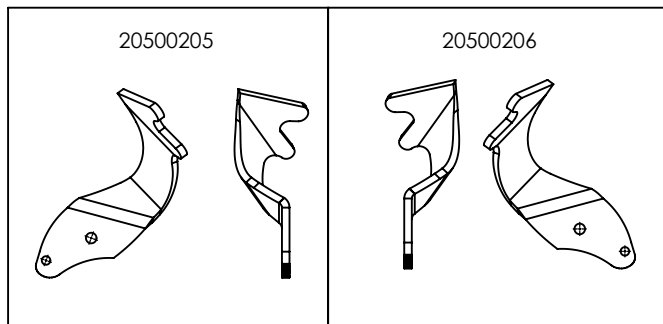
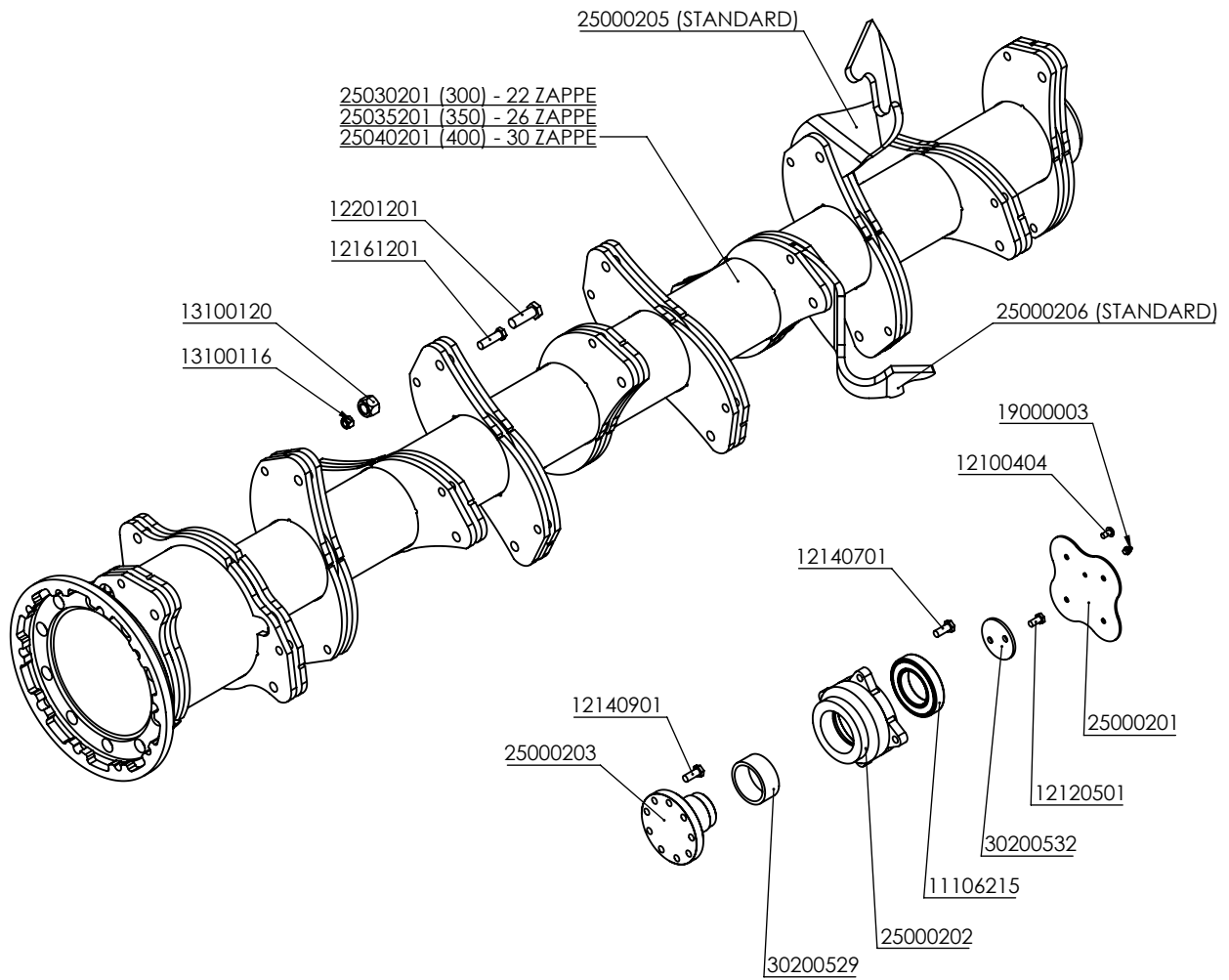
GEARBOX

250.101

COD.	DESCRIZIONE	DESCRIPTION	BESCHRIJVING	BESCHREUBUNG
12100501	VITE M10x25 TE ZINC	SCREW M10x25	BOULT M10x25	BOLZEN M10x25
12200801	VITE M20x40 TE ZINC	SCREW M20x40	BOULT M20x40	BOLZEN M20x40
12080601	VITE M8x30 TE ZINC	SCREW M8x30	BOULT M8x30	BOLZEN M8x30
13200803	RONDELLA PIANA 8x32	FLAT WASHER 8x32		
25000102	SUPPORTO PROTEZIONE	PROTECTION SUPPORT		
25000103	PROTEZIONE CARDANO	PROTECTION		
25000150	RIDUTTORE 2155 R 1:1,53	GEARBOX 2155 R 1:1,53		
25000151	RIDUTTORE 2155 R 1:1,25	GEARBOX 2155 R 1:1,25		
25000152	RIDUTTORE 2155 R 1:1	GEARBOX 2155 R 1:1		
25000160	RIDUTTORE 2200 R 1:1,53	GEARBOX 2200 R 1:1,53		
25000161	RIDUTTORE 2200 R 1:1,25	GEARBOX 2200 R 1:1,25		
25000162	RIDUTTORE 2200 R 1:1	GEARBOX 2200 R 1:1		



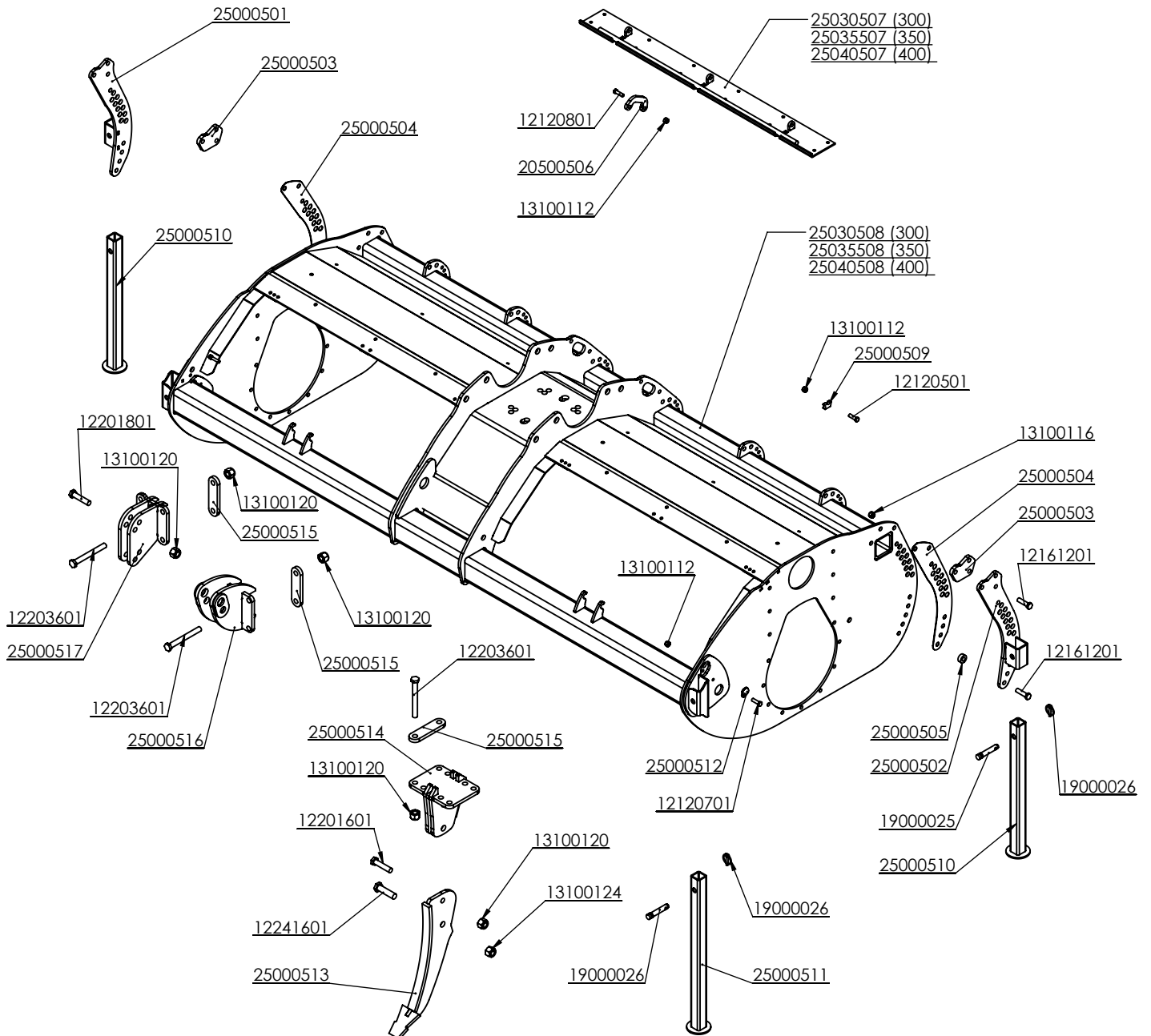
COD.	DESCRIZIONE	DESCRIPTION	BESCHRIJVING	BESCHREUBUNG
11033210	CUSCINETTO 33210	BEARING 33210		
13100630	DADO A CORONA M30x2	CROWN NUT M30x2		
13203001	RONDELLA PIANA M30	FLAT WASHER M30		
14106090	ANELLO DI TENUTA 60-90-10	OIL SEAL 60-90-10		
19000002	COPIGLIA 5x50	SPLIT PIN 5x50		
19000003	INGRASSATORE DRITTO M10	GREASE NIPPLES M10		
30200301	ROTOSLITTA SINGOLA RP MG SX	LH SINGLE DEPT CONTROL DISC**		
30200302	ROTOSLITTA SINGOLA RP MG DX	RH SINGLE DEPT CONTROL DISC*		
30200303	MOZZO GRANDE SINGOLO SX	LH HUBE FOR SINGLE DISC**		
30200304	MOZZO GRANDE SINGOLO DX	RH HUB FOR SINGLE DISC*		
30200305	CALOTTA COPRIMOZZO D90	HUB CAPS d90		
30200306	DISCO PICCOLO SX	LH DISC**		
30200307	DISCO PICCOLO DX	RH DISC*		
30200308	RINFORZO DISCO	UNDER PLATE		



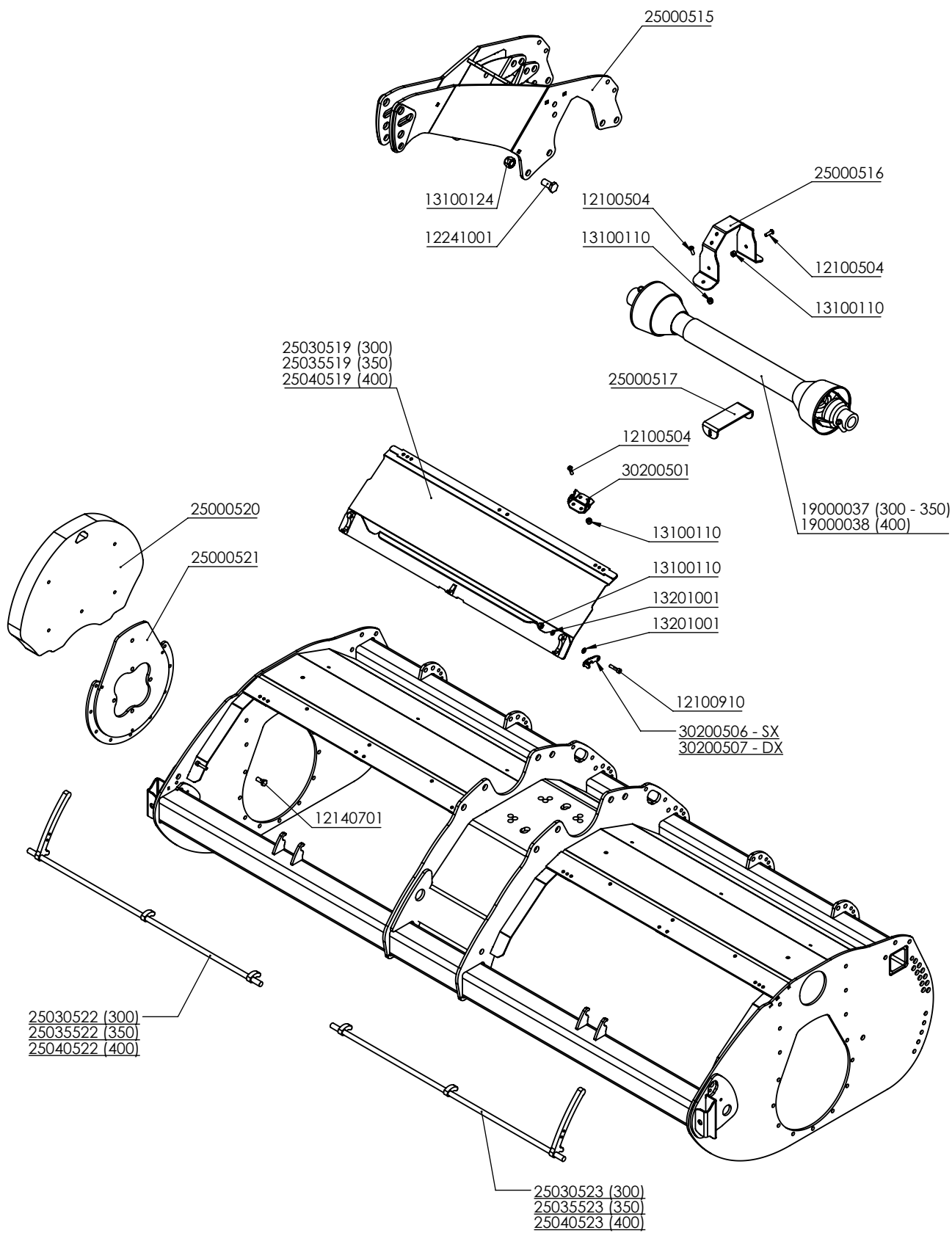
AGRI 300-350-400

ROTOR
250.201

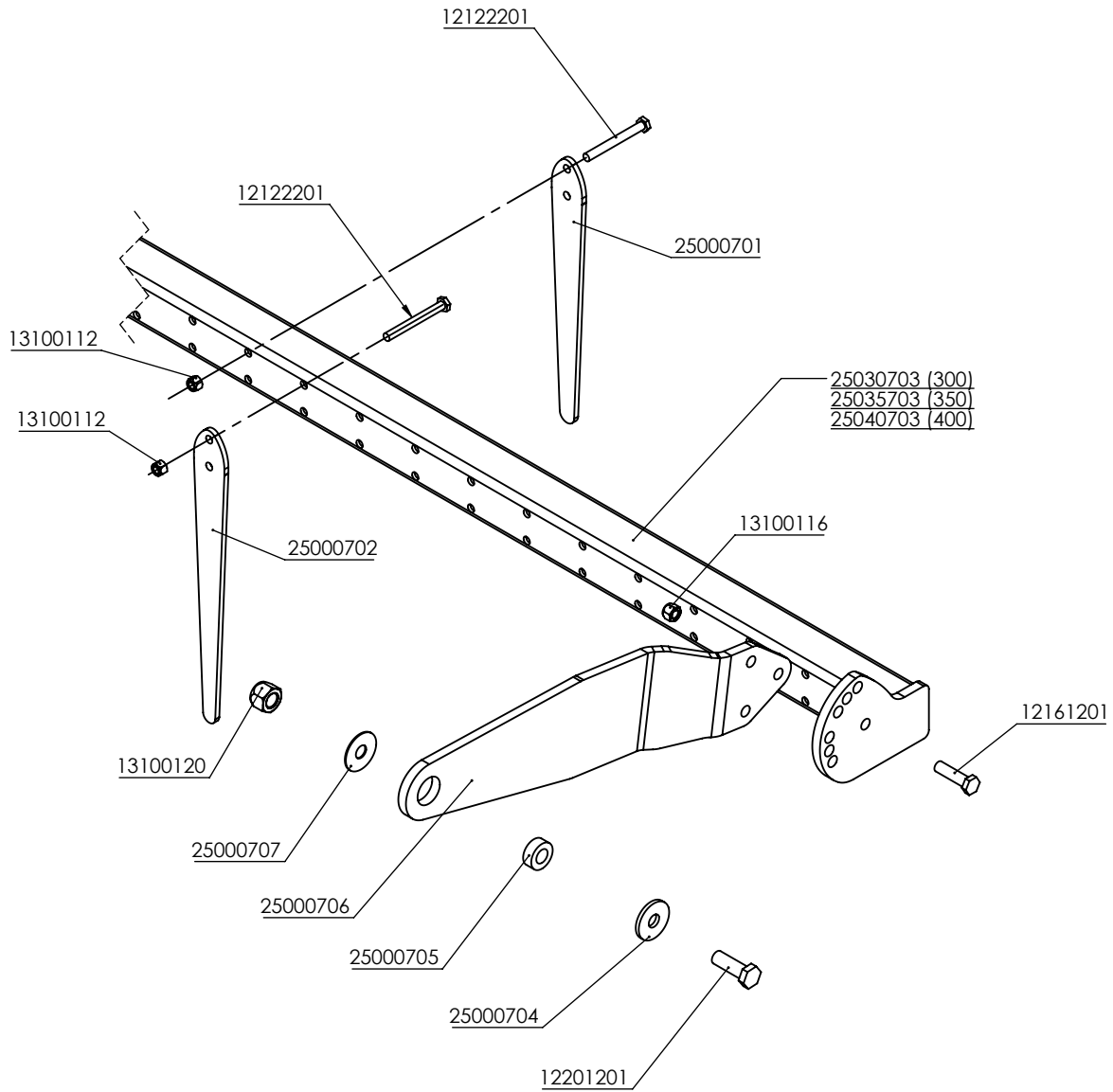
COD.	DESCRIZIONE	DESCRIPTION	BESCHRIJVING	BESCHREUBUNG
11106215	CUSCINETTO 6215 2RS	BEARING 6215 2RS	LAGER 6215 2RS	LAGER 6215 2RS
12100404	VITE M10x20 TBEI 8.8 ZINC	SCREW M10x20	BOULT M10x20	BOLZEN M10x20
12120501	VITE M12x25 TE 8.8 ZINC.	SCREW M12X25	BOULT M12x25	BOLZEN M12x25
12140701	VITE M14x35 TE ZINC	SCREW M14x35	BOULT M14x35	BOLZEN M14x35
12140901	VITE M14x45 TE ZINC	M14x45	BOULT M14x45	BOLZEN M14x45
12161201	VITE M16x60 TE ZINC	SCREW M16x60	BOULT M16x60	BOLZEN M16x60
12201201	VITE M20x60 TE ZINC	SCREW M20x60	BOULT M20x60	BOLZEN M20x60
13100116	DADO AUTOBLOC. M16	NUT M16	MOER M16 KEER/STEEL	NUSS M16 PRO STIEL
13100120	DADO AUTOBLOC. M20	NUT M20	MOER M20 KEER/STEEL	NUSS M20 PRO STIEL
19000003	INGRASSATORE DRITTO M10	GREASE NIPPLES M10		
25000201	COPERCHIO SUPP. ROTORE	COVER ROTOR SUPPORT		
25000202	SUPPORTO ROTORE	ROTOR SUPPORT		
25000203	PERNO ROTORI	ROTOR SHAFT	FLENS MET AS	FLANSCHWELLE
25000205	ZAPPA SINISTRA AGRI	LH AGRI BLADE		
25000206	ZAPPA DESTRA AGRI	RH AGRI BLADE		
25000207	ZAPPA SINISTRA SECCO	LH DRY AGRI BLADE		
25000208	ZAPPA DESTRA SECCO	RH DRY AGRI BLADE		
25000209	ZAPPA HOL	HOL BLADE		
25000210	ZAPPA BOL	BOL BLADE		
25030201	ROTORE AGRI 300 22 ZAPPE	AGRI 300 ROTOR 22 BLADES		
25035201	ROTORE AGRI 350 26 ZAPPE	AGRI 350 ROTOR 26 BLADES		
25040201	ROTORE AGRI 400 30 ZAPPE	AGRI 400 ROTOR 30 BLADES		
30200529	BOCCOLA IN BRONZO 80x95x40	BUSH 80x95x40		
30200532	RONDELLA PIANA 85x6	FLAT WASHER 85x6		



COD.	DESCRIZIONE	DESCRIPTION	BESCHRIJVING	BESCHREUBUNG
12120501	VITE M12x25 TE 8.8 ZINC.	SCREW M12X25	BOULT M12x25	BOLZEN M12x25
12120701	VITE M12x35 TE ZINC	SCREW M12x35	BOULT M12x35	BOLZEN M12x35
12120801	VITE M12x40 TE ZINC	SCREW M12x40	BOULT M12x40	BOLZEN M12x40
12161201	VITE M16x60 TE ZINC	SCREW M16x60	BOULT M16x60	BOLZEN M16x60
12201601	VITE M20x80 TE ZINC	SCREW M20x80	BOULT M20x80	BOLZEN M20x80
12201801	VITE M20x90 TE ZINC	SCREW M20x90	BOULT M20x90	BOLZEN M20x90
12203601	VITE M20x180 TE ZINC	SCREW M20x180	BOULT M20x180	BOLZEN M20x180
12241601	VITE M24x80 TE ZINC	SCREW M24x80	BOULT M24x80	BOLZEN M24x80
13100112	DADO AUTOBLOC. M12	NUT M12	MOER M12 KEER/STEEL	NUSS M12 PRO STIEL
13100116	DADO AUTOBLOC. M16	NUT M16	MOER M16 KEER/STEEL	NUSS M16 PRO STIEL
13100120	DADO AUTOBLOC. M20	NUT M20	MOER M20 KEER/STEEL	NUSS M20 PRO STIEL
13100124	DADO AUTOBLOC. M24	NUT M24	MOER M24 KEER/STEEL	NUSS M24 PRO STIEL
19000025	PERNO LUNG. 113mm	PIN L.113		
19000026	SPINA A SCATTO OVALE	LINCH PINS		
25000501	FINECORSIA DX	RH PERFORATED PLATE		
25000502	FINECORSIA SX	LH PERFORATED PLATE		
25000503	DISTANZIALE SUPERIORE	UPPER SPACER		
25000504	DISTANZIALE 2mm	SPACER 2mm		
25000505	RONDELLA 17-35-15	WASHER		
25000506	REGISTRO BANDELLA	REGISTER		
25000509	FERMA BANDELLA	PLATE		
25000510	PIEDE POSTERIORE	REAR FEET		
25000511	PIEDE ANTERIORE	FRONT FEET		
25000512	PIASTRINA	PLETE		
25000513	RIPUNTATORE	SUBSOILER		
25000514	SUPPORTO RIPUNTATORE	SUBSOILER SUPPORT		
25000515	PISTRINA FORATA	HOLED PLATE		
25000516	ATTACCO SOLLEVATORE	CONNECTION		
25000517	SUPPORTO RUOTE DI LIVELLO	DEPT CONTROL DISC SUPPORT		
25030507	PORTA PLASTICA 300	PLASTIC SUPPORT 300		
25030508	TELAIO AGRI 300	AGRI 300 FRAME		
25035507	PORTA PLASTICA 350	PLASTIC SUPPORT 350		
25035508	TELAIO AGRI 350	AGRI 350 FRAME		
25040507	PORTA PLASTICA 400	PLASTIC SUPPORT 400		
25040508	TELAIO AGRI 400	AGRI 400 FRAME		



COD.	DESCRIZIONE	DESCRIPTION	BESCHRIJVING	BESCHREUBUNG
12100504	VITE M10x25 TBEI 8.8 ZINC	SCREW M10x25	BOULT M10x25	BOLZEN M10x25
12100910	VITE M10x45 TCEI 10.9 ZINC	SCREW M10x45	BOULT M10x45	BOLZEN M10x45
12140701	VITE M14x35 TE ZINC	SCREW M14x35	BOULT M14x35	BOLZEN M14x35
12241001	VITE M24x50 TE ZINC	SCREW M24x50	BOULT M24x50	BOLZEN M24x50
13100110	DADO AUTOBLOC. M10	NUT M10	MOER M10 KEER/STEEL	NUSS M10 PRO STIEL
13100124	DADO AUTOBLOC. M24	NUT M24	MOER M24 KEER/STEEL	NUSS M24 PRO STIEL
13201001	RONDELLA PIANA 10x20	FLAT WASHER M10		
19000037	CARDANO LATERALE AGRI 300	EXTERNAL PTO SHAFT AGRI 300		
19000038	CARDANO LATERALE AGRI 400	EXTERNAL PTO SHAFT AGRI 400		
25000515	ATTACCO TERZO PUNTO	CENTRAL FRAME		
25000516	COPRI CARDANO	PTO SHAFT COVER		
25000517	PIASTRA COPRI CARDNO	PLATE PTO SHAFT COVER		
25000520	ZAVORRA	BALLAST		
25000521	PIASTRA ESTERNA	EXTERNAL PLATE		
25030519	COFANO AGRI 300	BONNET AGRI 300		
25030522	ASTA CHIUSURA COF. DX 300	RH BONNET CLOSING 300		
25030523	ASTA CHIUSURA COF. SX 300	LH BONNET CLOSING 300		
25035519	COFANO AGRI 350	BONNET AGRI 350		
25035522	ASTA CHIUSURA COF. DX 350	RH BONNET CLOSING 300		
25035523	ASTA CHIUSURA COF. SX 350	LH BONNET CLOSING 300		
25040519	COFANO AGRI 400	BONNET AGRI 400		
25040522	ASTA CHIUSURA COF. DX 400	RH BONNET CLOSING 400		
25040523	ASTA CHIUSURA COF. SX 400	LH BONNET CLOSING 400		
30200501	CERNIERA	HINGE		
30200506	GANCIO COFANO SX	LH HOOK BONNET		
30200507	GANCIO COFANO DX	RH HOOK BONNET		



AGRI 300-350-400

RAKE
250.701

COD.	DESCRIZIONE	DESCRIPTION	BESCHRIJVING	BESCHREUBUNG
12122201	VITE M12x110 TE ZINC	SCREW M12x110	BOULT M12x110	BOLZEN M12x110
12161201	VITE M16x60 TE ZINC	SCREW M16x60	BOULT M16x60	BOLZEN M16x60
12201201	VITE M20x60 TE ZINC	SCREW M20x60	BOULT M20x60	BOLZEN M20x60
13100120	DADO AUTOBLOC. M20	NUT M20	MOER M20 KEER/STEEL	NUSS M20 PRO STIEL
13100112	DADO AUTOBLOC. M12	NUT M12	MOER M12 KEER/STEEL	NUSS M12 PRO STIEL
13100116	DADO AUTOBLOC. M16	NUT M16	MOER M16 KEER/STEEL	NUSS M16 PRO STIEL
25000701	STECCA CORTA RASTRELLO	SHORT PLATE RAKE		
25000702	STECCA LUNGA RASTRELLO	LONG PLATE RAKE		
25030703	TUBO RASTRELLO 300	TUBE RAKE 300		
25035703	TUBO RASTRELLO 350	TUBE RAKE 350		
25040703	TUBO RASTRELLO 400	TUBE RAKE 400		
25000704	RONDELLA SP.6	WASHER		
25000706	SUPPORTO EXT. RASTRELLO	EXTERNAL RAKE SUPPORT		
25000707	RONDELLA SP.2	WASHER		
25000705	DISTANZIALE	SPACER		



Farmtec Italia s.r.l.

44034 COPPARO (FE) Italy – Via Scarsella,3
Tel. +39 0535 838817 – Fax +39 0532 387814

info@farmtec.it – www.farmtec.it